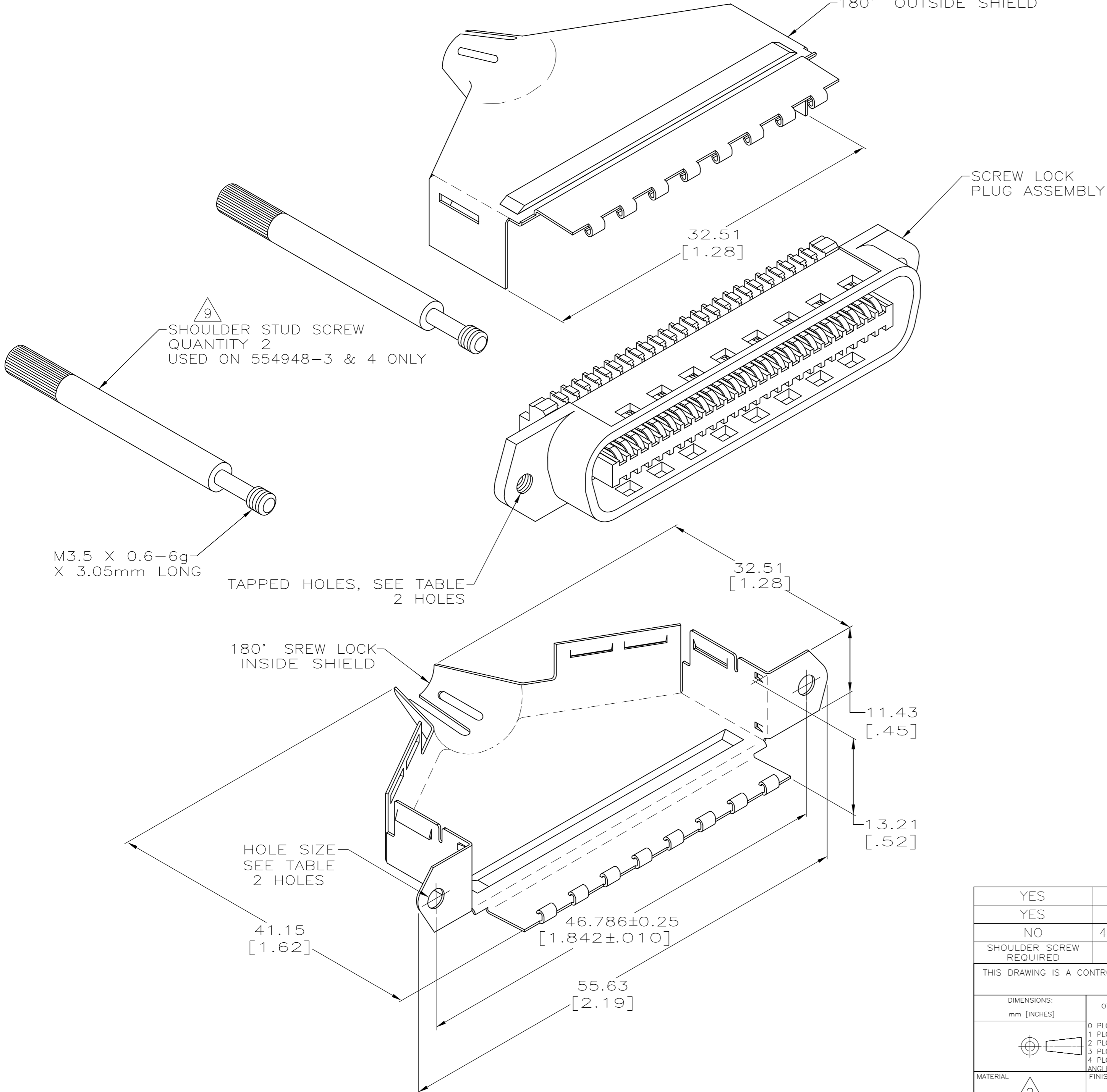


THIS DRAWING IS UNPUBLISHED. RELEASED FOR PUBLICATION
 © COPYRIGHT BY TYCO ELECTRONICS CORPORATION. ALL RIGHTS RESERVED.

LOC	DIST	REVISIONS					
GP	00	P	LTR	DESCRIPTION	DATE	DWN	APVD
		E		REVISED PER ECO-08-007327	05SEP08	BM	WM



- THIS KIT SHIPPED NOT ASSEMBLED.
- MATERIAL:** SHIELDS – BRIGHT NICKEL PLATED CARBON STEEL.
 PLUG HOUSING – POLYPHENYLENE OXIDE, UL94V1 RATED, BLACK.
 TERMINAL – HIGH STRENGTH COPPER ALLOY PLATED WITH 0.76µm [.000030] MIN GOLD OR GOLD FLASH OVER PALLADIUM NICKEL PLATE, 0.76µm [.000030] MIN TOTAL ON MATING SURFACE. 1.27µm [.000050] MIN NICKEL UNDERPLATE OVER ENTIRE TERMINAL.
- WIRE SIZE:** 26–27–28 AWG 7 STRANDS OF COPPER CONDUCTORS. MAXIMUM INSULATION DIAMETER OF 1.14 [.045] IS ACCEPTABLE FOR MOST APPLICATIONS.
- CABLE RANGE: Ø.250–.500.
- CENTER-TO-CENTER SPACING OF TERMINALS 2.16 [.085] NOMINAL.
- WIRE SIZE:** 24 OR 26 AWG SOLID OR 24 AWG 7 STRANDS OF COPPER CONDUCTORS. MAXIMUM INSULATION DIAMETER OF 1.14 [.045] IS ACCEPTABLE FOR MOST APPLICATIONS.
- DIMENSIONS ARE MAXIMUM UNLESS OTHERWISE SPECIFIED.
- PACKAGED 1 KIT PER POLYBAG.
- SHOULDER STUD SCREWS USED ON –3 & –4 ASSEMBLY ONLY.

YES	9	3.18–3.43 [.125–.135]	8	B	6	554948–4
YES	9	3.18–3.43 [.125–.135]	8	E	3	554948–3
NO	4–40 UNC–2B	3.18–3.43 [.125–.135]	8	B	6	554948–2
SHOULDER SCREW REQUIRED	TAPPED	HOLE SIZE DIAMETER	PACKAGED	SLOT SIZE	WIRE SIZE	PART NUMBER
THIS DRAWING IS A CONTROLLED DOCUMENT.		DWN B. MCMASTER 17FEB05	Tyco Electronics Corporation Harrisburg, PA 17105–3608			
DIMENSIONS: mm [INCHES]		CHK W. MILLHIMES 17FEB05	NAME PLUG KIT, 24 POSITION, SCREW LOCK, WITH 4–40 HOLES, SHIELDED CHAMP			
TOLERANCES UNLESS OTHERWISE SPECIFIED:		APVD W. MILLHIMES 17FEB05	SIZE CAGE CODE DRAWING NO RESTRICTED TO			
0 PLC ± -	7	PRODUCT SPEC	A2 00779 C=554948			
1 PLC ± -		APPLICATION SPEC	SCALE 2:1 SHEET 1 OF 1 REV E			
2 PLC ± -						
3 PLC ± -						
4 PLC ± -						
ANGLES ± -						
FINISH 2	2	WEIGHT –				
CUSTOMER DRAWING						

554948